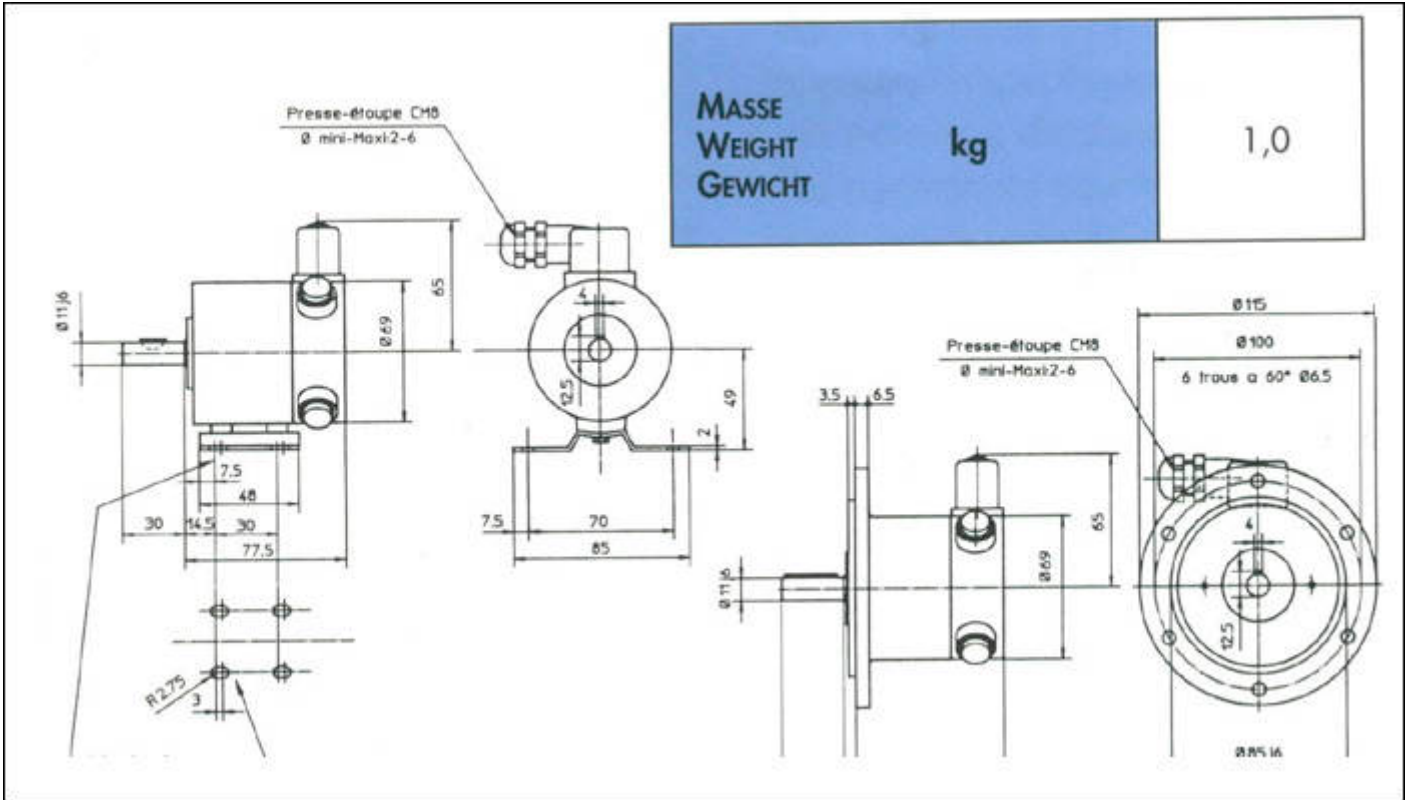


Radio Energie RE.0444L Tachogenerator



Electrical Options

				Standard
E.M.F at 1000rpm	En	V	1 coll.	60
Voltage gradient	Cv	V/tr/min	1 coll.	0,06
		V/rpm		
Armature resistance	Ra	impedance	1 coll.	160
Max. thermal load	Ith	A	1 coll.	0,1
Max. allowed speed	na	tr/min rpm U/min	1 coll.	5000

For more information, please contact Electro Dynamics:

Ph: (+64-9) 4147217 (24 hrs / 7 days);

Fax: (+64-9) 4147218

Email: admin@electrodynamics.co.nz

Website: www.electrodynamics.co.nz